



**vitafoam**.co.za

**vita** *Vita Thene*  
a Product by Vitafoam

# VITA-THERM PIPE INSULATION

## Features & Benefits

- » Fully closed-cell foam with less than 2% water absorption
- » Helps maintain the core temperature of liquids over extended periods of time in hot and cold piping applications
- » Effective solution to reducing electricity and energy costs
- » Noticeably slows down the time water pipes take to freeze [external temperature dependent]
- » Noticeably slows down the time water pipes take to cool down in hot water applications [solar & geyser etc.]
- » Acoustic barrier to reduce noise in pipe applications
- » Low thermal conductivity, vapor transmission and water absorption
- » Non toxic and does not attract rodents
- » Fully recyclable and environmental friendly
- » Supplied in various diameters to meet your insulation requirements
- » Flexible and easy to cut and install
- » Supplied with our Eeze Zip Lock closing system
- » Resistant to most common acids and chemicals
- » Fire retardant with self extinguishing properties



**vita** *Vita* **THERM**



LDPE



# VITA-THERM PIPE INSULATION

## Product Specifications

<b>Material:</b>	Expanded Polyethylene
<b>Cell Structure:</b>	Closed Cell – Fine Cell Structure
<b>Colour:</b>	Grey
<b>Density:</b>	Nominal 40 kg/m <sup>3</sup>
<b>Wall Thickness:</b>	15mm & 20mm
<b>Standard Length:</b>	2 meters
<b>Temperature Range:</b>	+80°C to -40°C
<b>Thermal Conductivity:</b>	Test Method SABS: ASTM C518 R-Value: 15mm: 0.302m <sup>2</sup> .K/W K-Value: 15mm: 0.051 W/m.K R-Value: 20mm: 0.393m <sup>2</sup> .K/W K-Value: 20mm: 0.052 W/m.K
<b>Chemical Resistance:</b>	Resistant to most common acids and chemicals.
<b>Flammability:</b>	The product is flame retardant with self extinguishing properties tested according to Vitafoam's in-house controls
<b>UV Properties:</b>	Does not weather well over extended exposure to direct UV light and requires coating with an suitable PVA paint if exposed to direct UV light

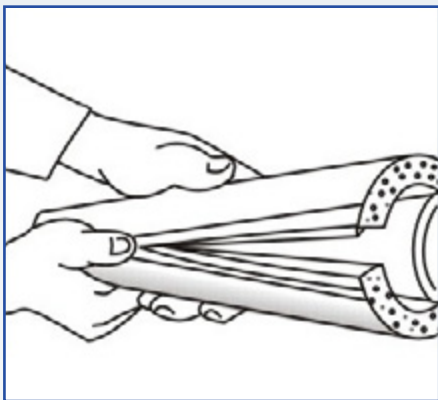




# VITA-THERM PIPE INSULATION

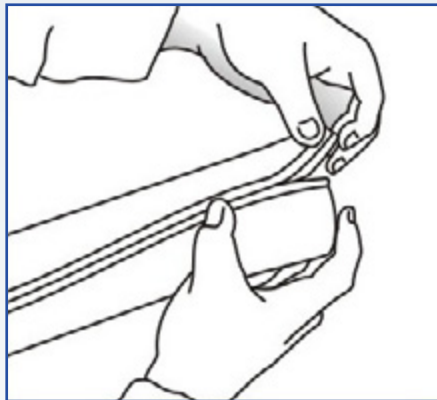
## Product Installation

How to apply and work with Vita-Therm for insulation of domestic water cylinder pipework.  
Save Time, Money and Energy - Do it Yourself - Do it fast.



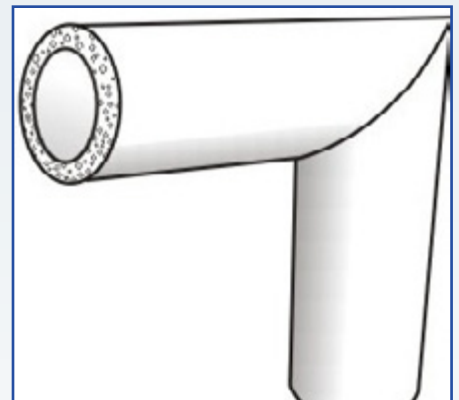
### HOW TO OPEN EEZE ZIP:

Twist and lift upper section of zip and run thumb between upper and lower section of zip.



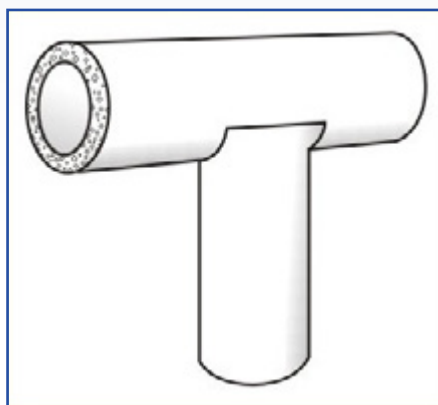
### HOW TO CLOSE EEZE ZIP:

Place upper onto lower section of zip ensuring both clips are engaged and press firmly with thumb. Twist zip to bottom of pipe or away from direct sun.



### ELBOW:

Place insulation into a Mitre box with zip towards you. Cut at 45°. Similarly the other leg of the bend. Apply a contact adhesive to both surfaces allowing to dry. Place both legs firmly together ensuring both zips on inside of the bend. Open and fit.



### T SECTION:

Cut horizontal leg of "T" to workable length. Cut a hole the size of the pipe you are insulating (on the zip), fit insulation to pipe. Cut vertical leg, hollow out one end to fit horizontal snugly and apply adhesive in the normal way and fit.



### UV PROTECTION:

For external use of insulation, protect against ultra violet rays by means of coating of VitaTherm with a suitable paint.